

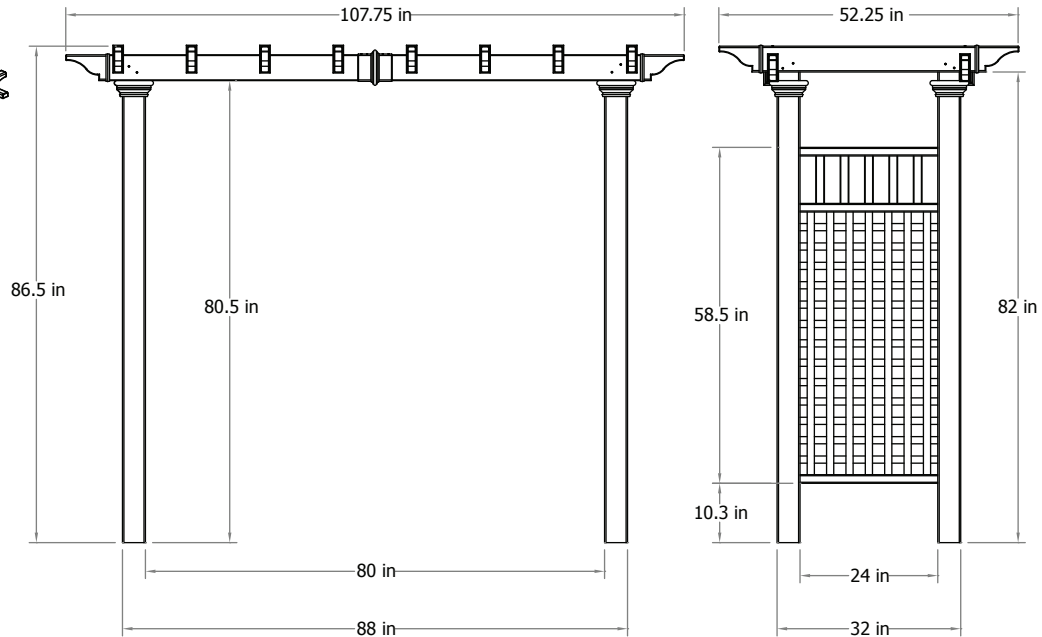
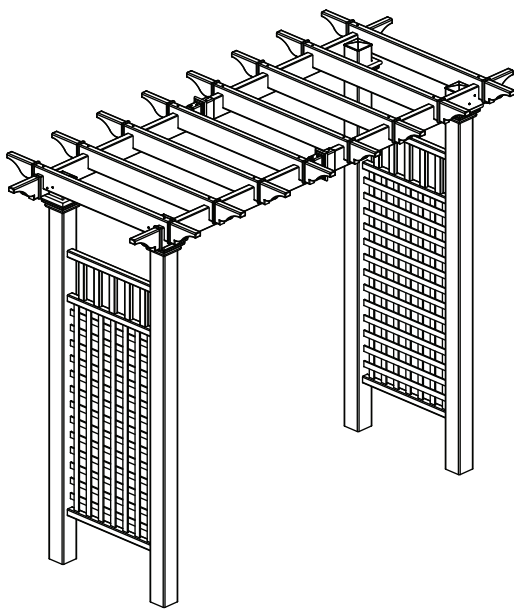
ASSEMBLY INSTRUCTIONS

The Fairfield Grande Arbor

New England
Arbors

Leadership by Design

www.newenglandarbors.com



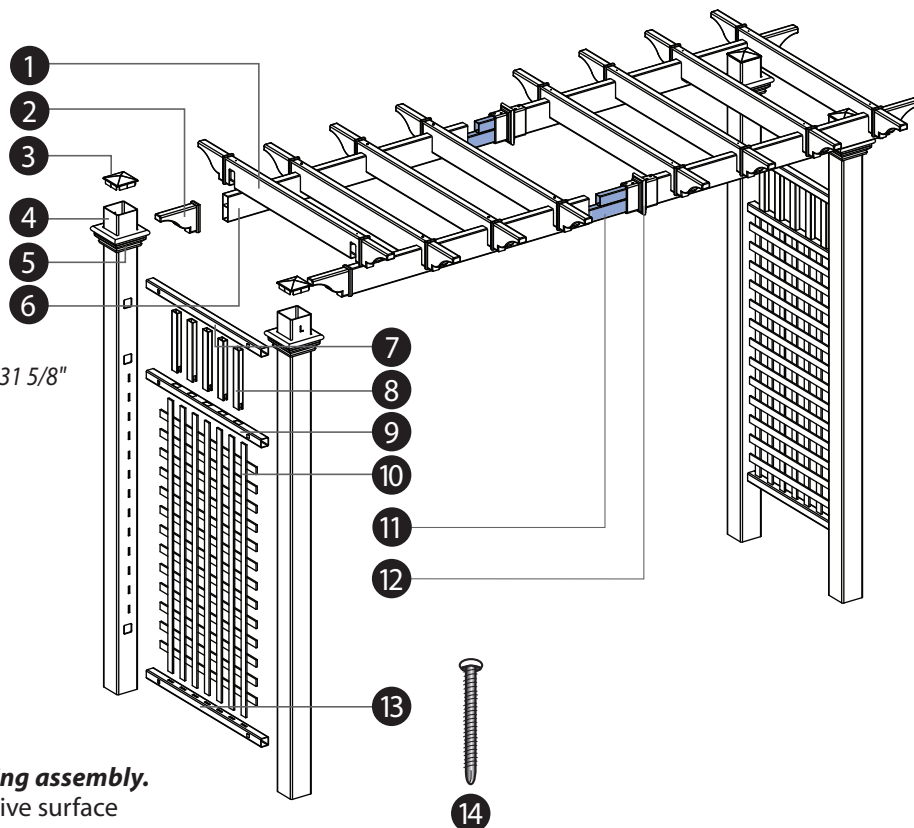
Please read through before starting assembly.

IMPORTANT: CHECK THE INSIDE OF YOUR POSTS FOR ALL MATERIALS.

Check Box for These Contents

In the event of missing or defective parts please call our customer service dept. at **1 800 282 9346, ext #20** (Mon. to Fri. 8:00 AM to 4:00 PM EST).

1. Rafters (8) 1 1/2" x 4 1/2" x 38"
2. Pergola End Caps (20)
3. Post Caps (4)
4. Posts (4) 4" x 4" x 84"
5. Post Trims (4)
6. Carrying Beams (4) 1 1/2" x 4 1/2" x 46 1/2"
7. Side Panel Top-Rails (2) 1 1/2" x 1 1/2" x 31 5/8"
8. Side Panel Vertical Spindles (10) 7/8" x 1 1/2" x 10 3/8"
9. Side Panel Middle Rails (2) 1 1/2" x 1 1/2" x 31 5/8"
10. Side Panel Square Lattices (2) 1/2" x 26 1/2" x 47 3/4"
11. Steel Stiffener Inserts (2)
12. Carrying Beam Coupler (2) 1/2" x 4 1/2"
13. Side Panel Horizontal Bottom Rails (2) 1 1/2" x 1 1/2" x 31 5/8"
14. 3 in. (7.6 cm.) Stainless Steel Screws (44)
15. Tube of Vinyl Glue (1)



(Not to scale)

Tools You Will Need

- Hammer
- Tape Measure
- Level
- Stool or Short Ladder
- Shovel or Auger
- Cordless Drill

General Information

- Read Instructions through carefully before beginning assembly.
- When assembling components, place on a non-abrasive surface (i.e. shipping box) to avoid scratching.
- We recommend an area approx 10' x 8' for unobstructed assembling.
- You should not need to use excessive force when assembling components.

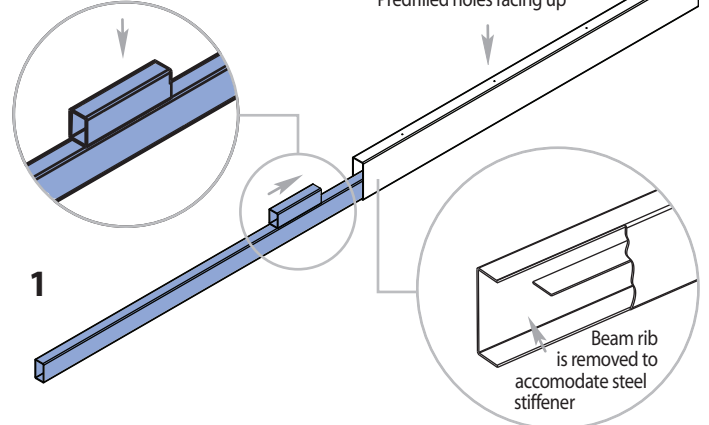
STEP ONE

Assemble the Arbor Beams

- 1** Insert one steel stiffener (with steel block facing up) into the lower pocket of the beam past the joiner. Push until steel block hits the internal ribbing.
- 2** Slide the beam coupler over the beam. Install the coupler so that the four holes are facing up. Push firmly until the coupler bottoms out on the beam.
- 3** Slide a second beam coupler over the steel insert and into the coupler.
- 4** Screw the coupler to the vinyl beams and steel using 3" screws. The bottom and top holes will need to be pre-drilled using the bit provided.
- 5** Repeat for second beam.

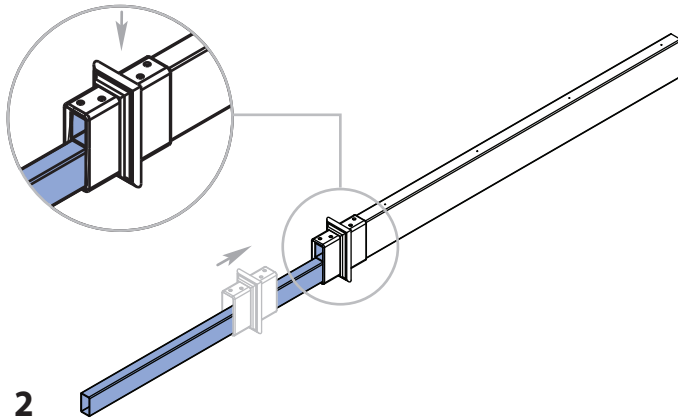
Steel block should be facing up

Predrilled holes facing up



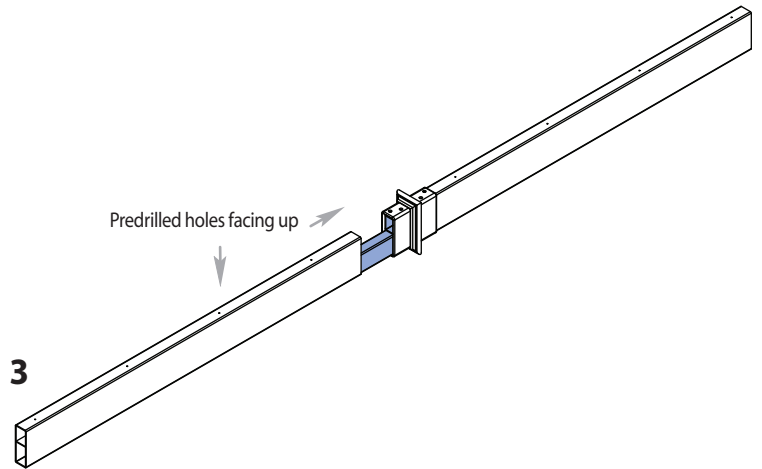
1

Four holes facing up



2

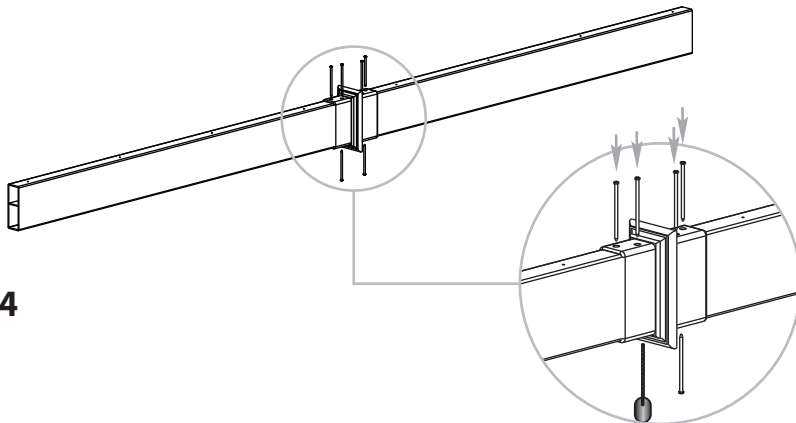
Predrilled holes facing up



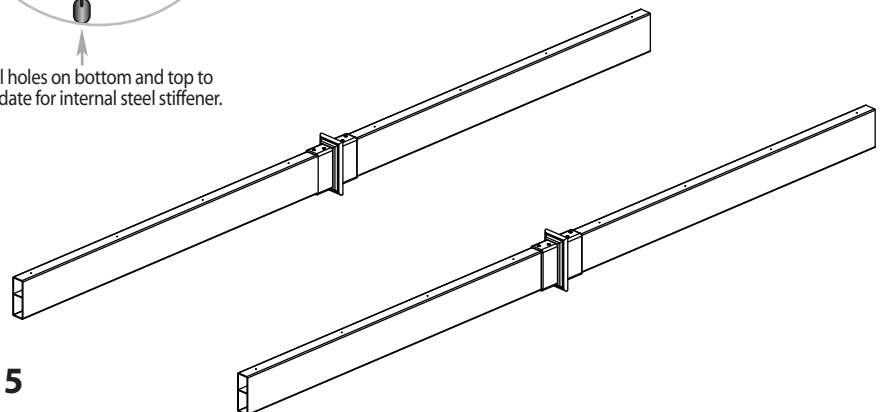
3

4

Pre-drill holes on bottom and top to accommodate for internal steel stiffener.



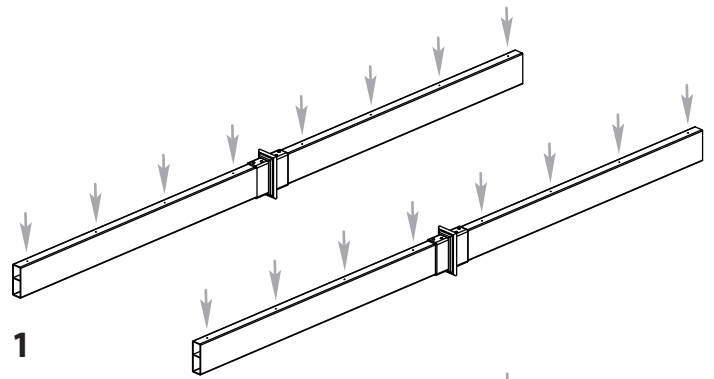
5



STEP TWO

Assemble the Arbor Top

- 1 Lay out the two carrying beams as illustrated with pre-drilled holes facing up.
- 2 Position the eight rafters over the respective predrilled holes on the carrying beams as illustrated. Using the 3" screws, fasten the eight rafters to the carrying beams.
- 3 Apply vinyl glue to the inside of the end cap and install pergola end caps as illustrated.

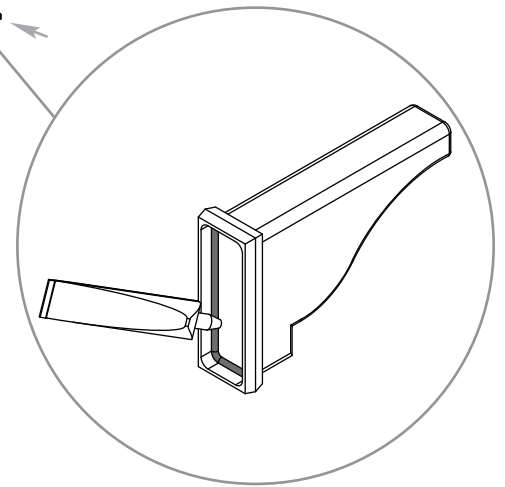
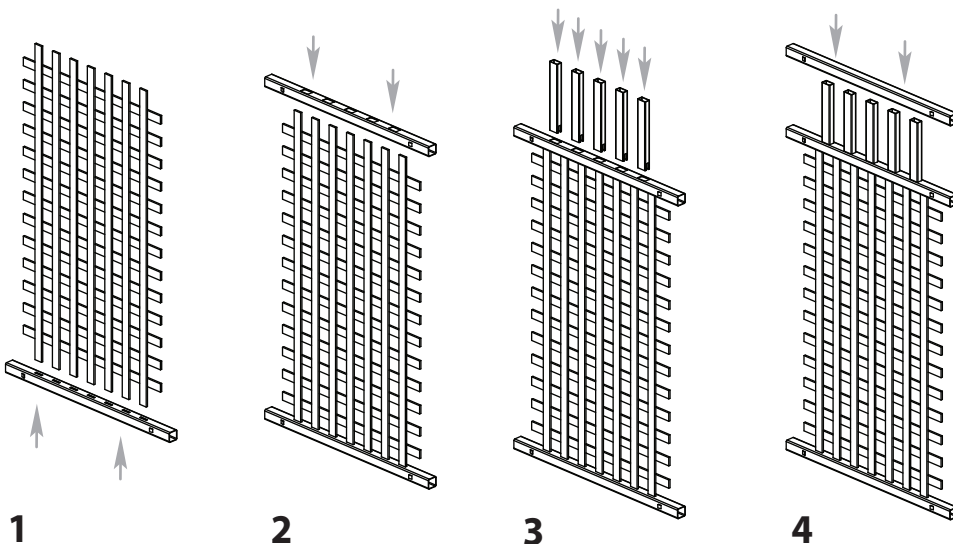
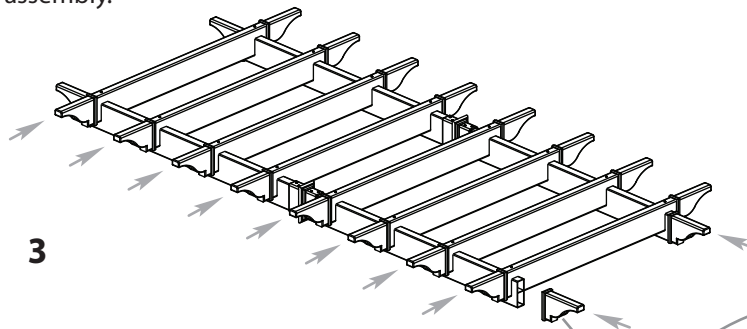
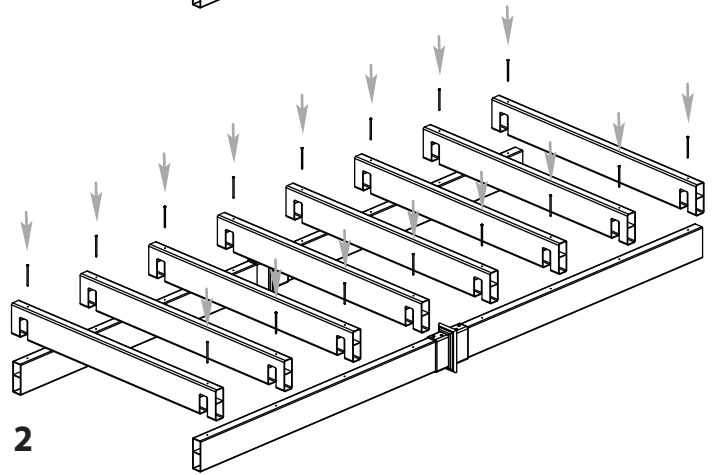


STEP THREE

Assemble the Side Panels

- 1 Insert the lattice into the bottom rail as shown.
Note: Bottom rail will have 7 holes on one side only
- 2 Insert the lattice assembly into the middle rail.
Note: Middle rail will have 7 holes on the bottom side and 5 holes on the top
- 3 Insert the five spindles into the top side of the middle rail.
Note: Top rail will have 5 holes on one side only
- 4 Slide the top rail over the lattice assembly.

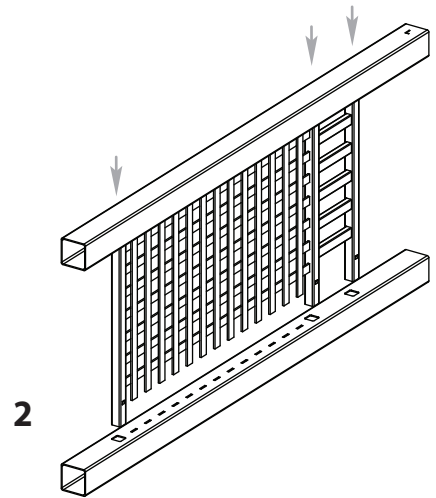
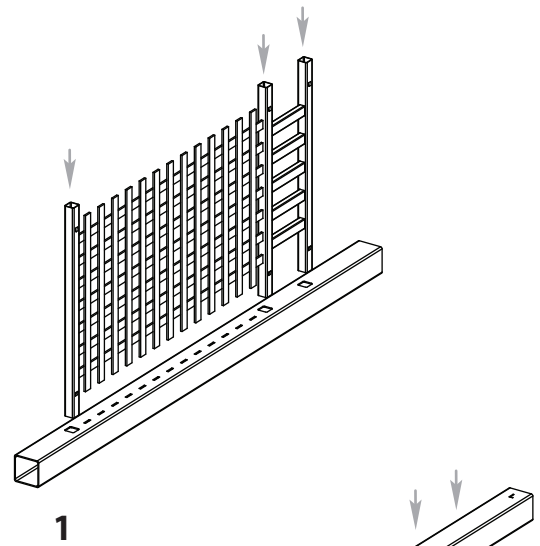
Repeat for other side panel.



STEP FOUR

Attach Side Panels to Posts

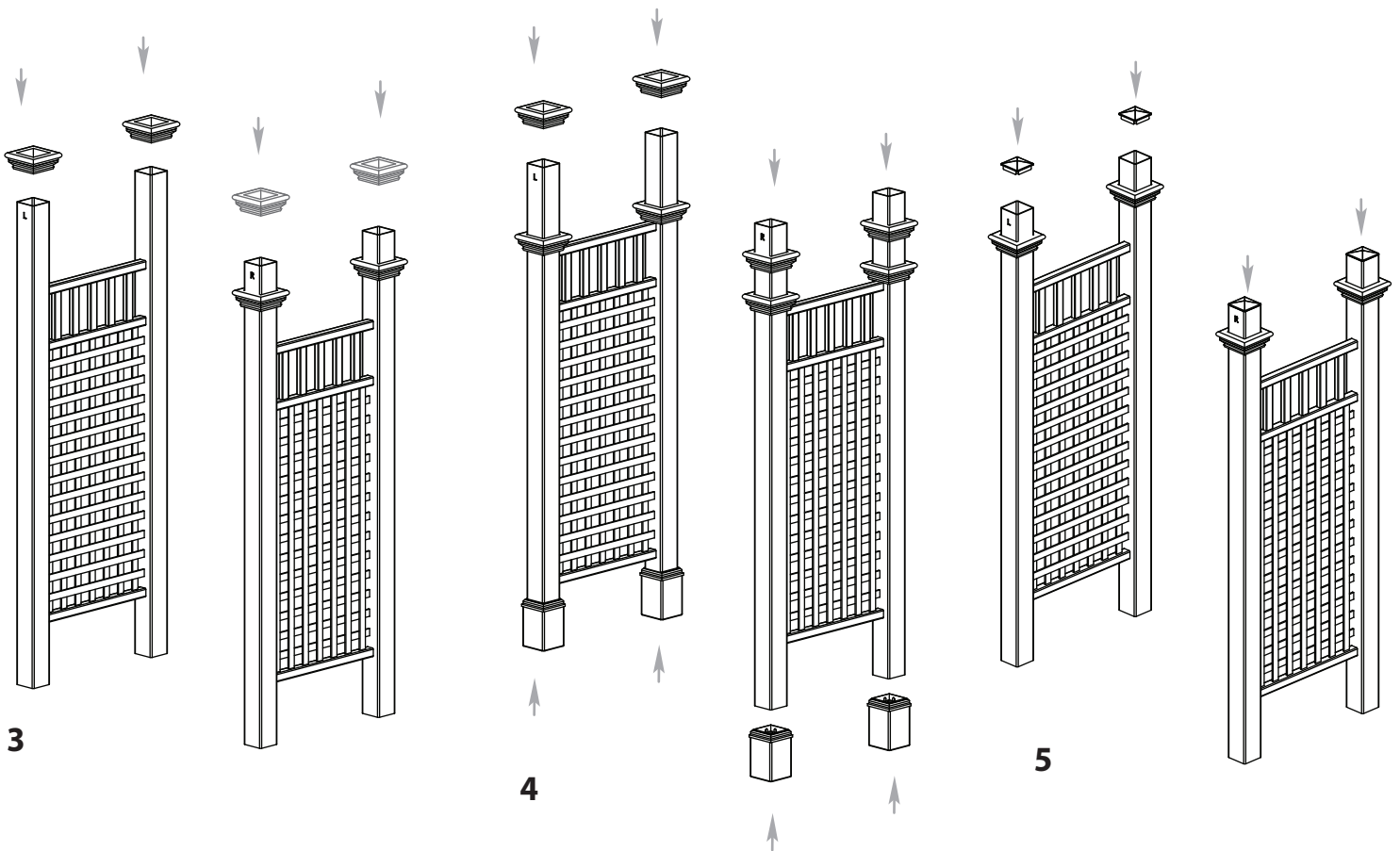
- 1 Set out one post and complete the side panel by inserting the side panel assembly into the holes on the post. Push rails until the tabs snap into place.
- 2 Repeat for the adjacent post. Note that there is a Left and Right post. They are marked at the top of the post.



STEP FIVE

Attach Trim Caps to Posts

- 3 Slide trim caps into place as illustrated.
- 4 If you purchased the Trim Kit (sold separately), also slide the second set of trim caps and base moldings at this point.
- 5 Glue and insert post caps on top of posts as illustrated



STEP SIX

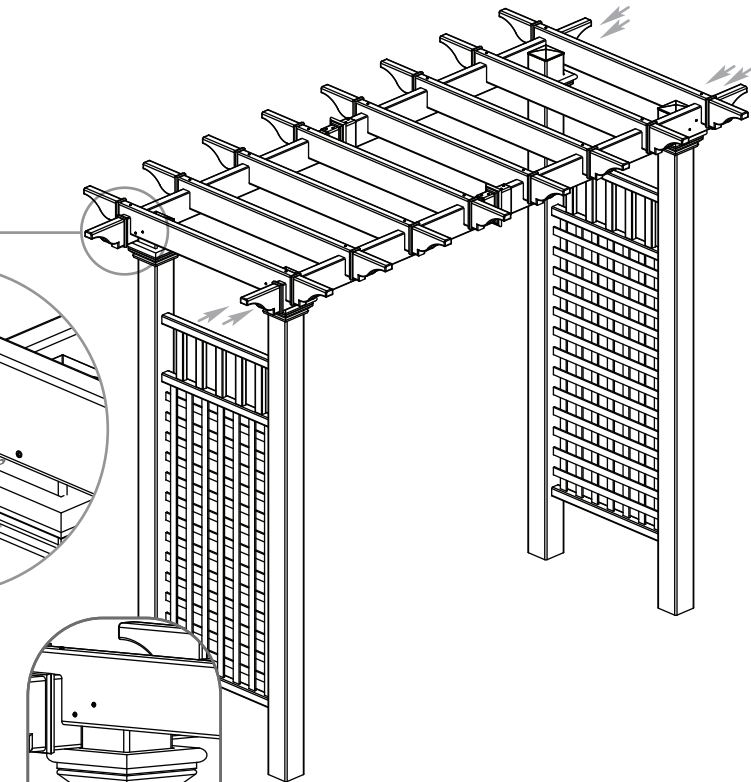
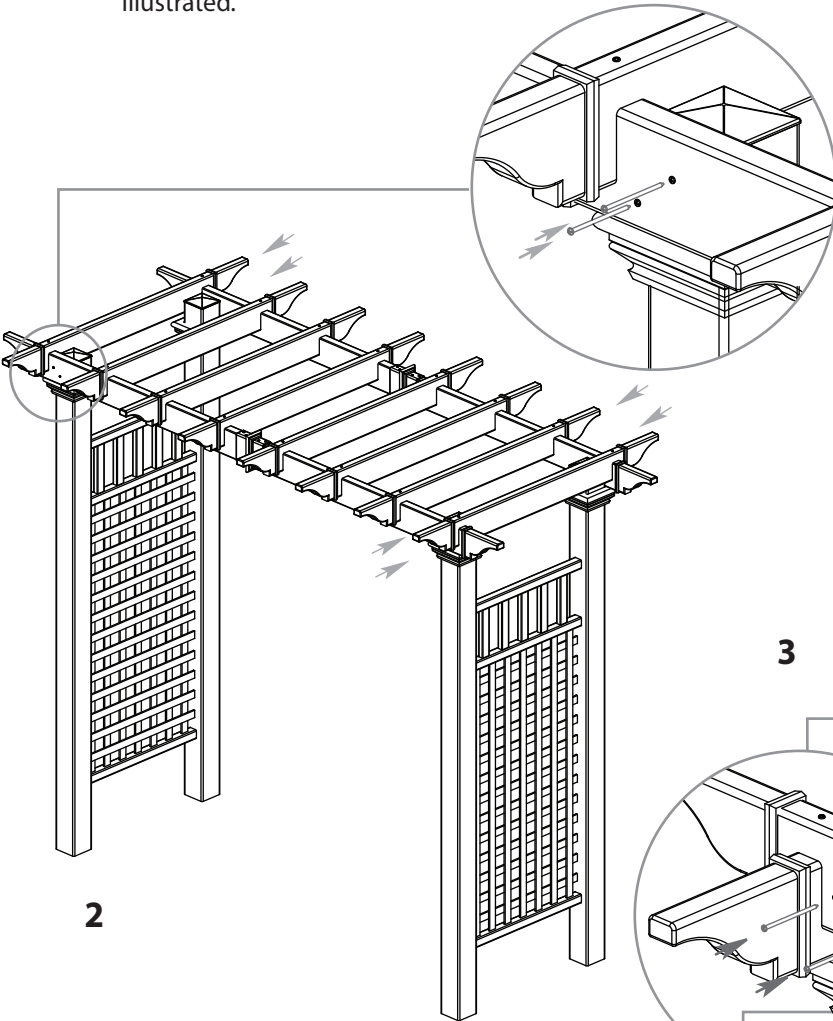
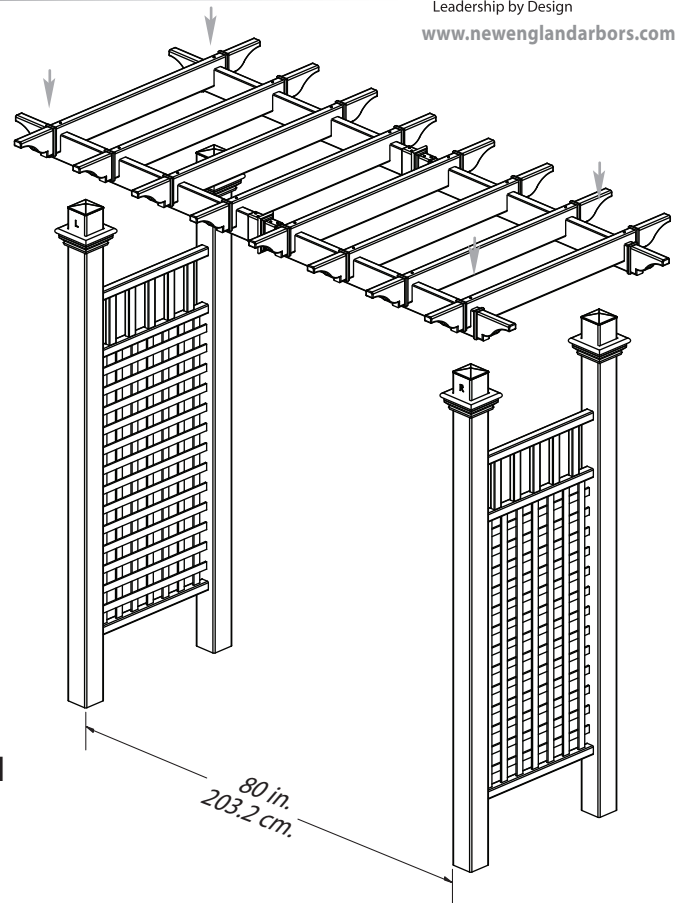
Connect the Pergola Top to the Posts

- 1 Move side panels to their final location and adjust the opening width to 80 in. (203.2 cm.).

Place the pre-assembled arbor top onto the post as illustrated.

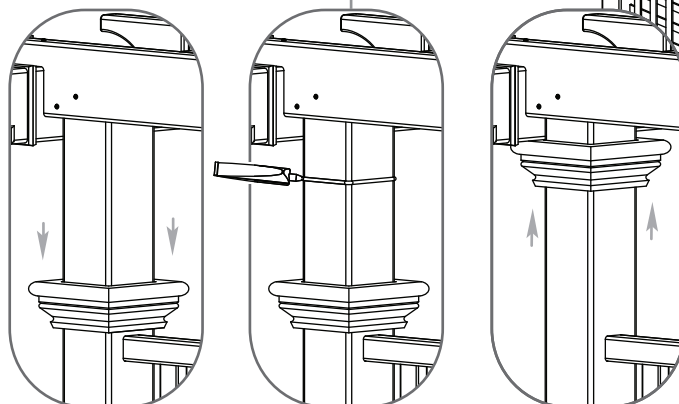
- 2 Fasten the main carrying beams onto the posts using two screws per side as illustrated.

- 3 Fasten the rafters to the posts using two screws per side as illustrated.



Note: To glue the post trims in place:

1. Slide the post trim down.
2. Apply a generous amount of vinyl glue around the post.
3. Slide the post trim back up to desired location and allow a few minutes to cure.



STEP SEVEN

Install the Arbor into the Ground

You have Three Options to Complete this Step.

(All purchased separately)

OPTION ONE - If Your Arbor:

- is going to be installed with fencing or a gate
- is located in a high wind or hurricane area
- is located in ground conditions that are not level

Consider Using:

A - 4x4 Professional Post Extension Kit (30 in./76.2 cm. long), (Kit of 4)

- Purchase from New England Arbors, www.newenglandarbors.com
- Recommended to be installed in concrete footings
- Follow instructions included with the kit

- or -

B - 4 x 4 x 3' (91.4 cm.) Long Wood Post (4)

- Purchase separate from your local lumberyard
- Recommended to be installed in concrete footing

OPTION TWO - If Your Arbor:

- is intended to be used as a stand alone garden accent or pathway
- is located on level ground

Consider Using:

4 x 4 Aussie Augers (Kit of 4)

- Purchase from New England Arbors, www.newenglandarbors.com
- Instructions are included with the kit

OPTION THREE - If Your Arbor:

- is going to be installed onto pre-existing concrete or wood surface

Consider Using:

4 x 4 Surface Mount Kit

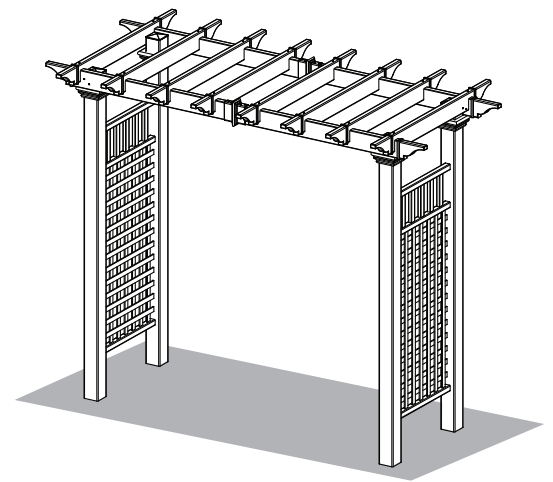
- Purchase from New England Arbors, www.newenglandarbors.com
- Follow instructions included with the kit

Into Earth with Concrete Footing (Option One)

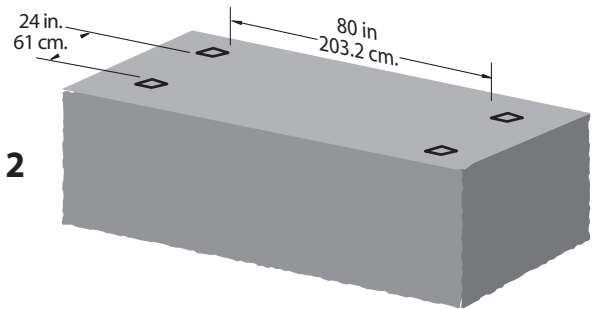
(Assuming posts have been extended)

Arbors must be well secured to prevent tipping over from wind load, etc.

- 1 Move the arbor to its final location (you will need a helper).
- 2 When you have identified the location of each post, mark the positions of the ground and then move the arbor aside.
- 3 Excavate four holes approx 33 in. (83.8 cm.) deep. The location and excavation of these four holes is the most critical step and should be completed with care. The depth of these holes will allow the post extension (if chosen as option) joint to be hidden 3 in. (7.6 cm.) under the ground.
- 4 Carefully move the arbor back into position and level both horizontal and vertically.
- 5 Backfill the holes with either gravel or cement.

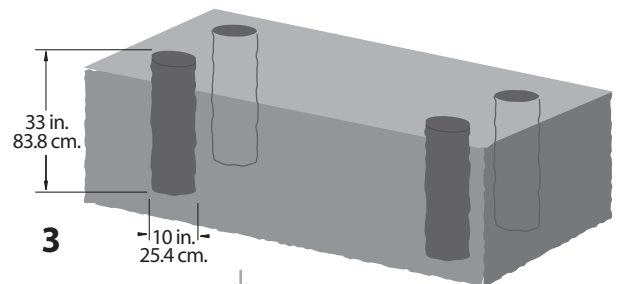


1

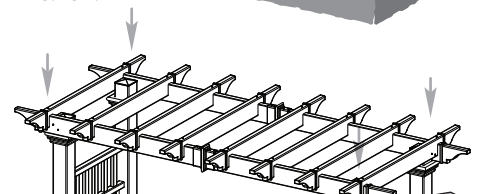


2

(Measurements shown are inside to inside of posts)

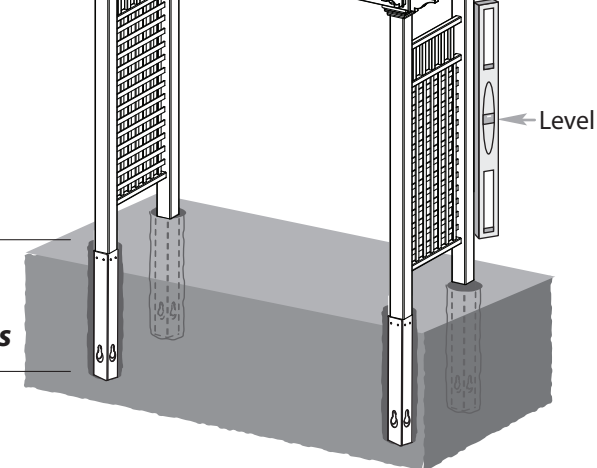


3



4

Shown with
Optional 4 x 4
Post Extensions



Level